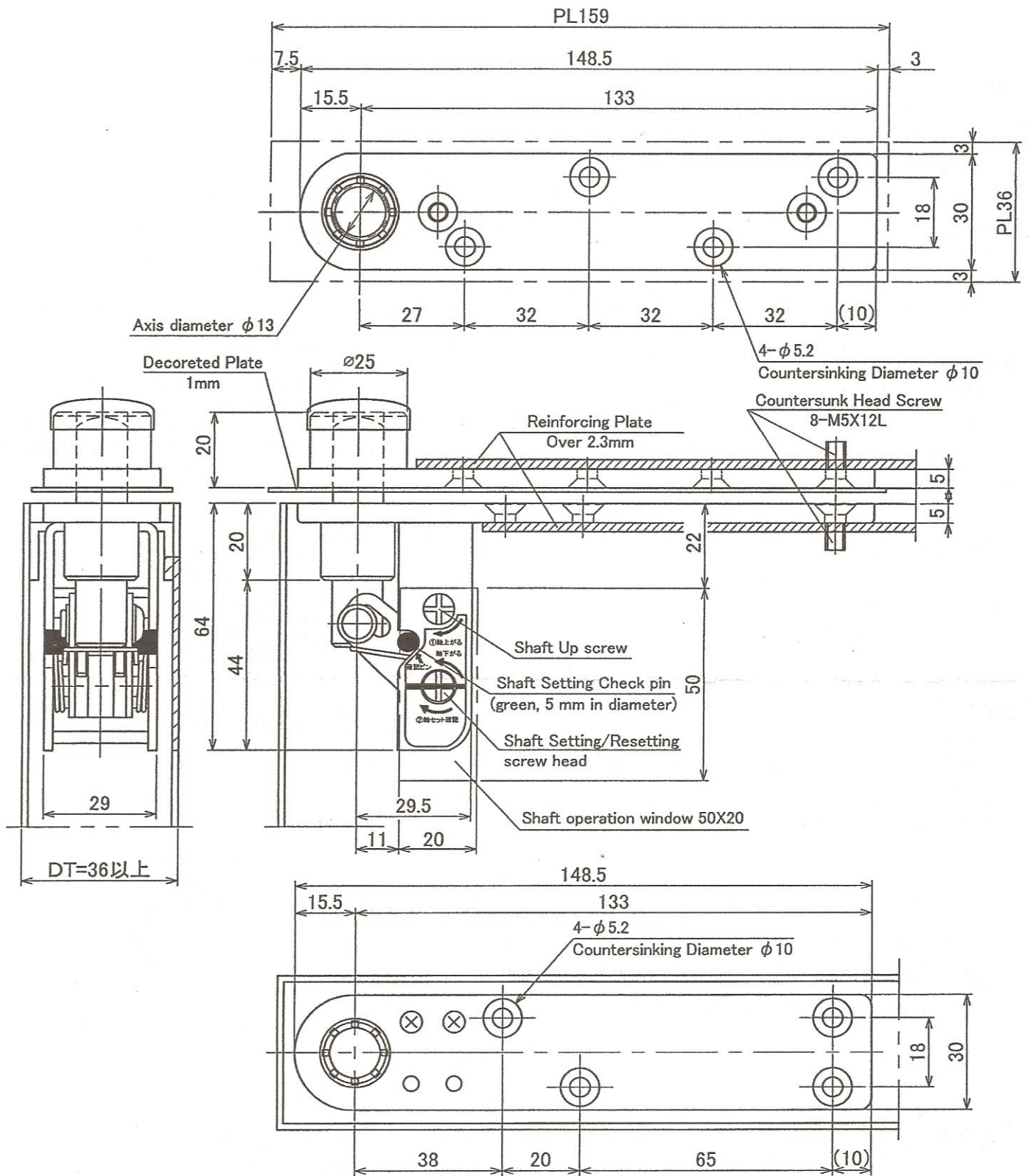


N-21W External Dimensions



TX10312-1



Headquarters and Laboratory: 2-9-4,
Nakaikogami, Ota-ku, Tokyo 146-8555
JAPAN
TEL 03 (3755) 1111

One-Touch Top Pivot N-21W Operation Manual

Thank you for purchasing our product.
Please read carefully "Precautions for use" below to successful install and use the product with safety in mind.

Precautions for use

- Caution:** Do not install the top pivot in a place exposed to water or rain.
 - Mounting screws of the top pivot which are exposed to water may become loose or damaged. In extreme cases, the door may fall.
- See the specifications below for applicable door sizes and weight for your pivot.
 - Please ensure the door size fits to the top pivot, otherwise the door and/or wall may be damaged.
- Firmly tighten the mounting screws of the top pivot.
 - If not, the mounting screws of the top pivot may become loose or broken. In extreme cases, the door may fall.
 - Check periodically (once a year) to make sure your door is firm and stable.
- Ensure to mount the top pivot after the door and the frame are to a finished standard. **Caution:** Never weld or coat the door or frame, with the top pivot mounted.
 - If done so, the shaft of the top pivot cannot fully extend and the door may fall.
- When removing or transferring the door, retract the shaft of the top pivot fully..
 - When transferring the door with the top pivot, ensure the shaft is fully retracted, otherwise there maybe a risk of hitting something which can damage the top pivot or result in the door falling.
- When installing the door, make sure the red slot line on the Shaft Setting/Resetting screw head is aligned to the Shaft Position Check line and you can see the Shaft Setting Check pin (green, 5mm in diameter) through the shaft operation window.
 - The door may fall if the top pivot shaft is not fully inserted,

Pivot model and applicable door sizes

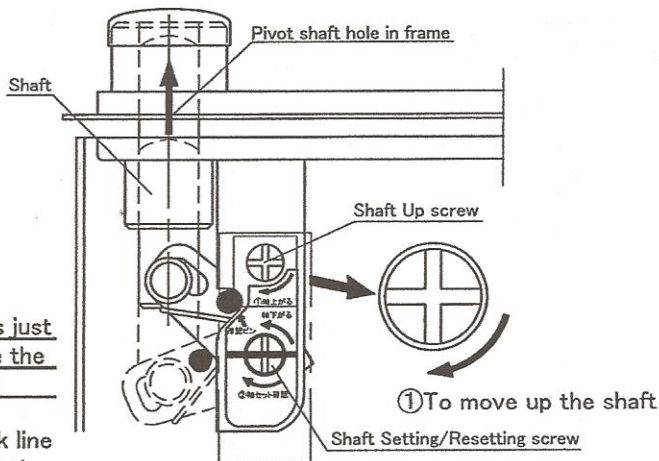
Pivot model	Applicable door sizes			Applicable door mass[kg]
	W	H	D	
N-21W	1,400max	2,100max	36min	130max

Items and quantities in package

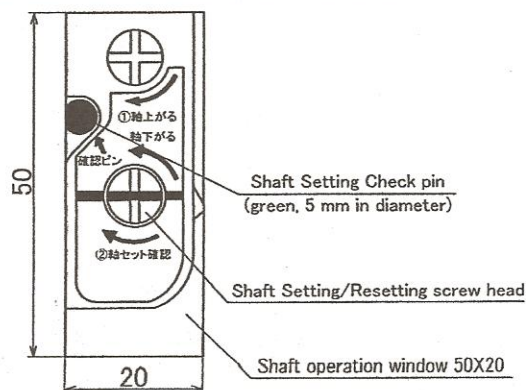
Item	Quantity
One-touch top pivot	1
Flat head screw M5X12L	8
Square rubber plate (small)	1
Instruction manual	1

Operating procedure

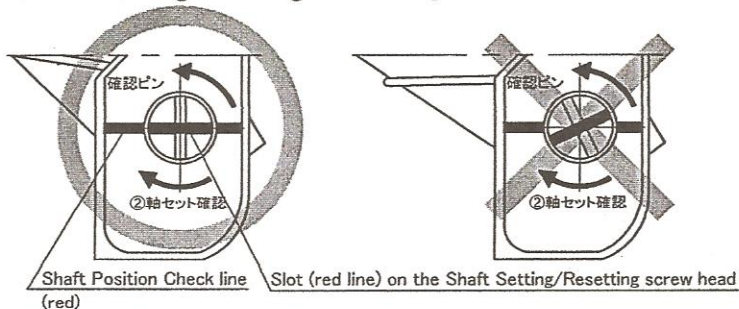
- Match the pivot shaft position with the pivot shaft hole in the frame and turn the Shaft Up screw by about 30° to move up the shaft. The shaft moves up from the pivot hole in the door and goes into the pivot shaft hole in the frame.
- Turn the Shaft Setting/Resetting screw until its red slot line is just aligned to the Shaft Position Check line (red) and you can see the Shaft Setting Check pin (green, 5mm in diameter) through the shaft operation window (50mm x 20mm)
 - If the red slot line is not aligned to the Shaft Position Check line (red) and you cannot see the Shaft Setting Check pin through the shaft operation window, the shaft is not seated in the hole and the door will fall)



Check point of Shaft Setting Check pin



[Checking the alignment of the red slot line on the Shaft Setting/Resetting screw head]



- Turn the Shaft Setting/Resetting screw counter clockwise by about 45° to remove the door.