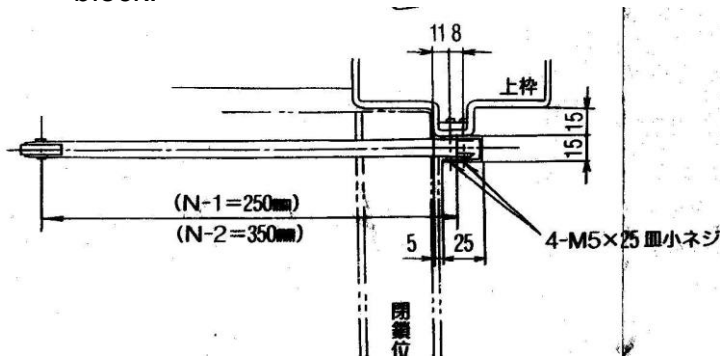


# Installation instructions for DIA door selectors.

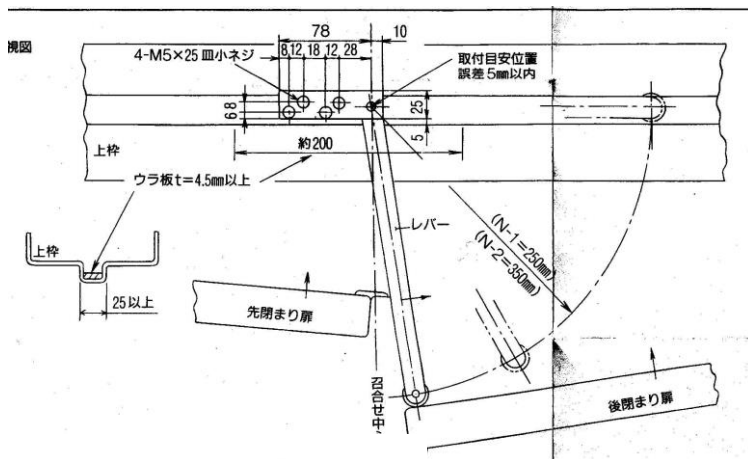
## SERIES DS.

### MODEL No. DS-250 , DS-300, DS-350.

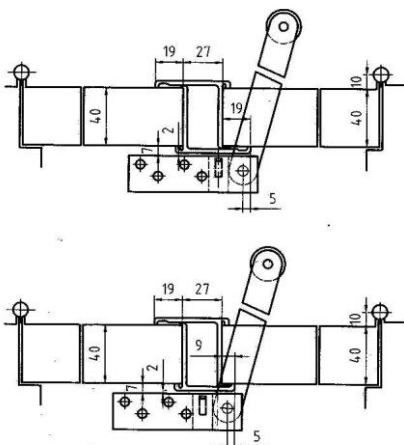
1. The door selector has to be fitted on **the underneath** of the top jamb with the arm directed to the door, which has to close as second.
2. The position of the door selector depends on **the overlap** of the door and/or the model of **the overlap** that has been fitted.
  - a. In case the overlap at inside and outside is identical then the door selector can be fitted with the centreline of the axis in the middle between the two doors.
  - b. In case **the overlap** at inside and outside is different then the door selector has to be fitted with the centreline of the axis 5 mm from the edge of the **inside overlap**
  - c. There has to be 5mm space between the door and the door selector fixing block.



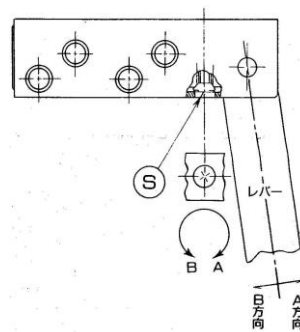
Fit the door selector underneath to the top frame. There should be a space of 5mm between fixing block and the door leaf.



Situation with equal overlaps.



Situation with different overlaps.



The angle of the arm can be adjusted with the screw in front of the fixing block. The arm should be set in such position that the first door to close can pass.